

we
are
arco

we
make
tables

arco

product
**Essential
Wood**

designer
Gudmundur
Ludvik

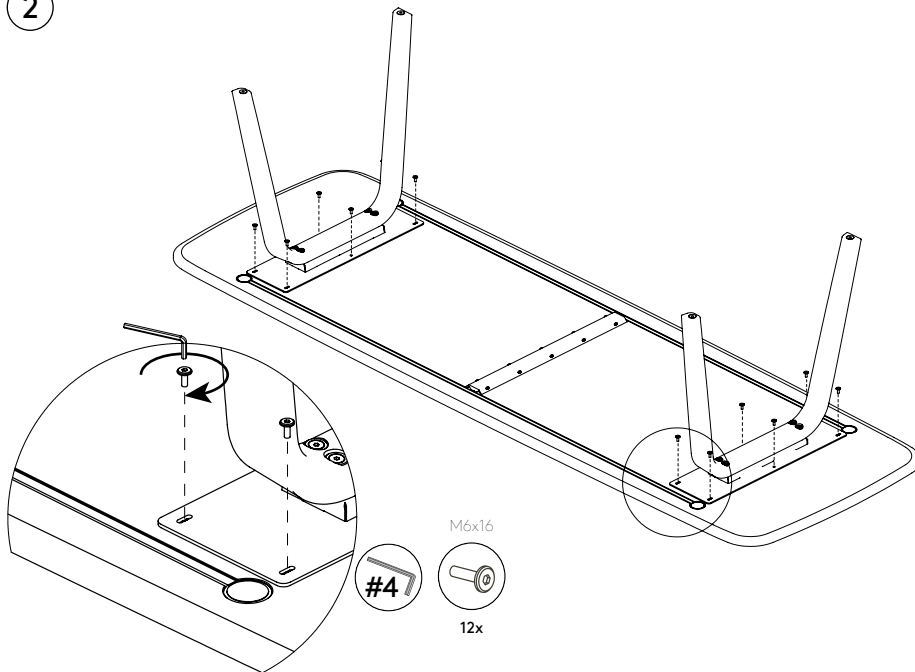
Year
2019

Assembly
instructions

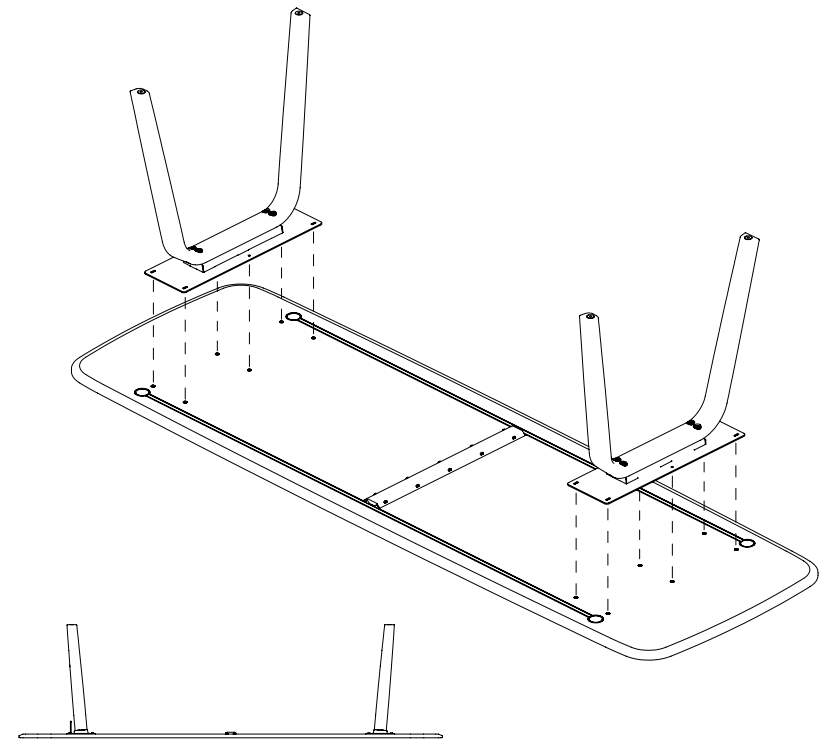
Please follow step 1 - 5.



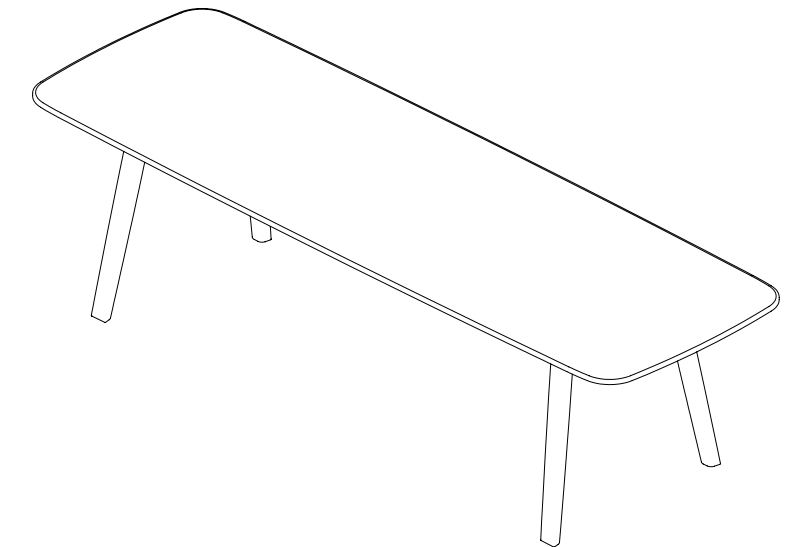
2



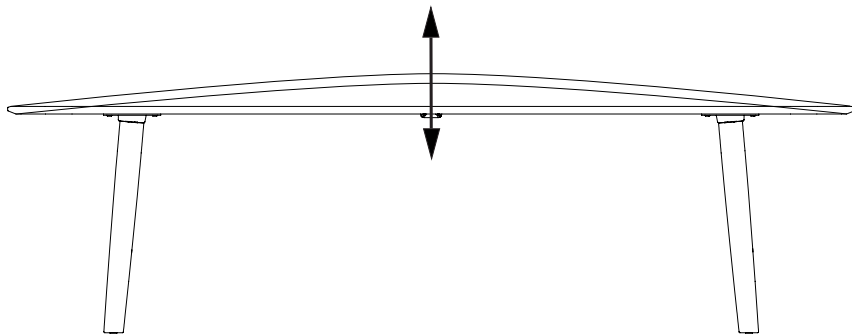
1



3



4



Instructions to correct the evenness of the tabletop.
Can be corrected on two sides by means of tightening the threaded rod.
As a result of this tightening, the tabletop will form an arc.
(Only used in longer tables)

5

